

femmoi

HiMESO

Instruction Manual



Thank you for purchasing the HiMESO™ Nano Meso Device
Before using HiMESO™, please read this manual carefully to ensure correct
and safe use following the instructions.

About HiMESO™ Nano Meso Device

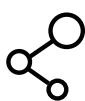
HiMESO™ is about to bring you a skincare experience like never before. The nanocrystallite technology will open the microchannels in the outer layer of the skin and promotes the deep absorption of active ingredients and the production of collagen cells. It helps you to regenerate a moist, plump, white, flawless, firm and, elastic young skin. Below we will show you the unique femooiHiMESO™ and give you a complete understanding of the device.



It can quickly open the barrier to skin absorption channels, allowing nutrients to penetrate the underlying skin and work deep down.



The 7x7mm Nanocrystalline Needle Surface is higher than the industry standard, the contact area is larger, make it easy to take care of every inch of skin.



High purity red and infrared light can effectively promote skin repair, nutrient absorption, and collagen production. It can also fade wrinkles, whiten skin, restore the state of a firm, elastic skin.



The diameter of the needles are only one-thousandth of a human hair. The needles are manufactured by a micro-nano processing technology, with a tolerance level below 80 nm. Thanks to this process, the needles do not touch the dermis layer and opens the skin absorption channel while ensuring the integrity of the skin.



Monocrystalline silicon is biocompatible, safe, and reliable. The purity of the monocrystalline silicon used in this product is as high as 99.999% and is lead-free and mercury-free, ensuring the safety of use.



The unique wireless contact charging design makes daily charging easier.

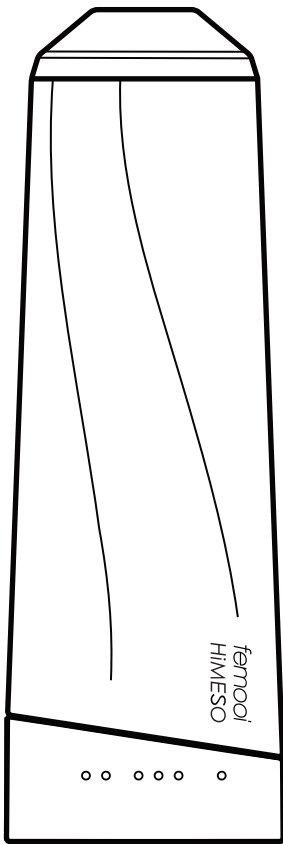


Three-button switch mode and simple operation enable you to get started quickly. The body is small and portable so that you can easily enjoy the beauty while hanging out.



Through precise design, the essence will not leak out of the body. It will be evenly distributed and more effectively penetrate the skin.

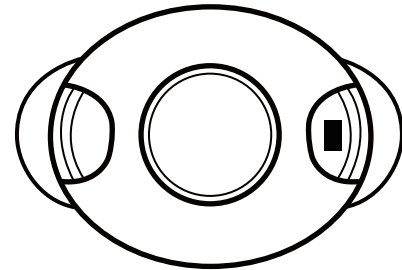
Device



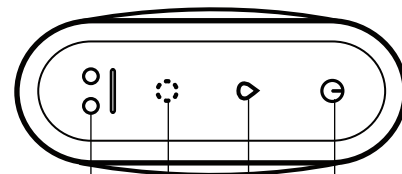
Front view



Side view

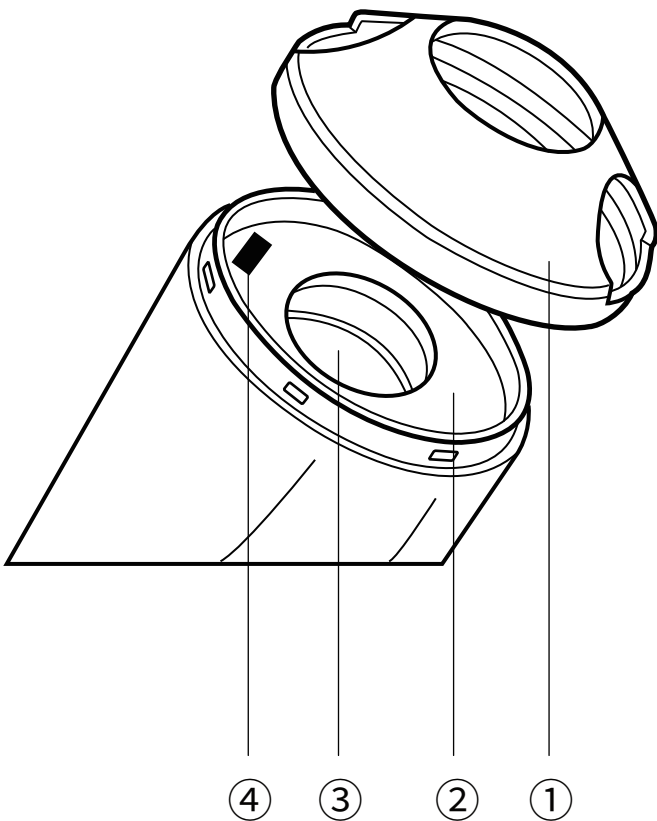


Top cover



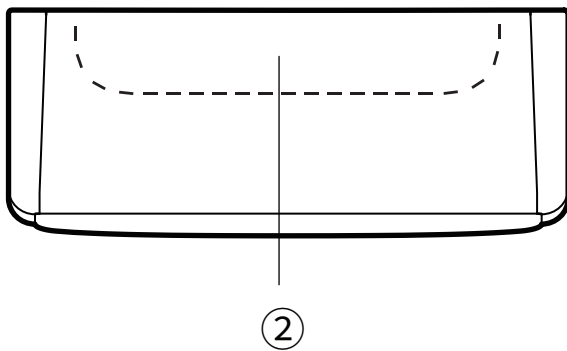
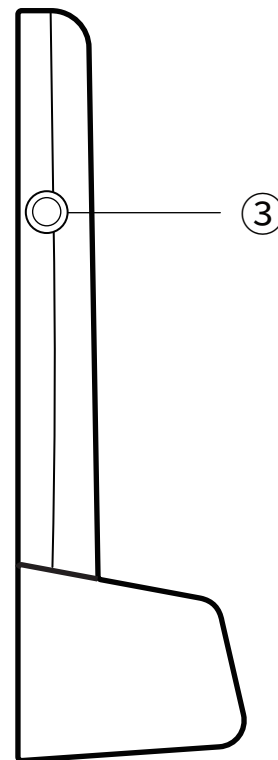
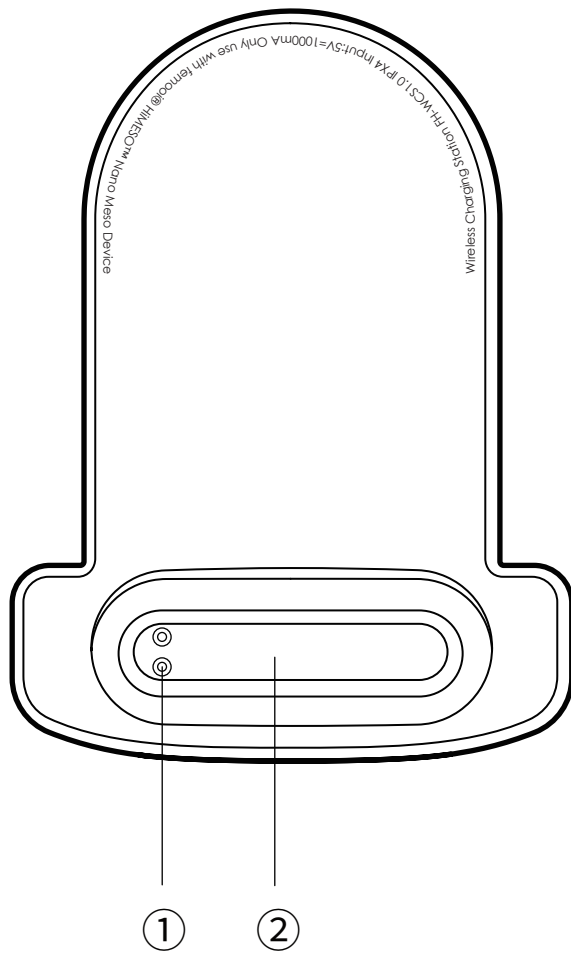
⑧ ⑦ ⑥ ⑤

Bottom Interface



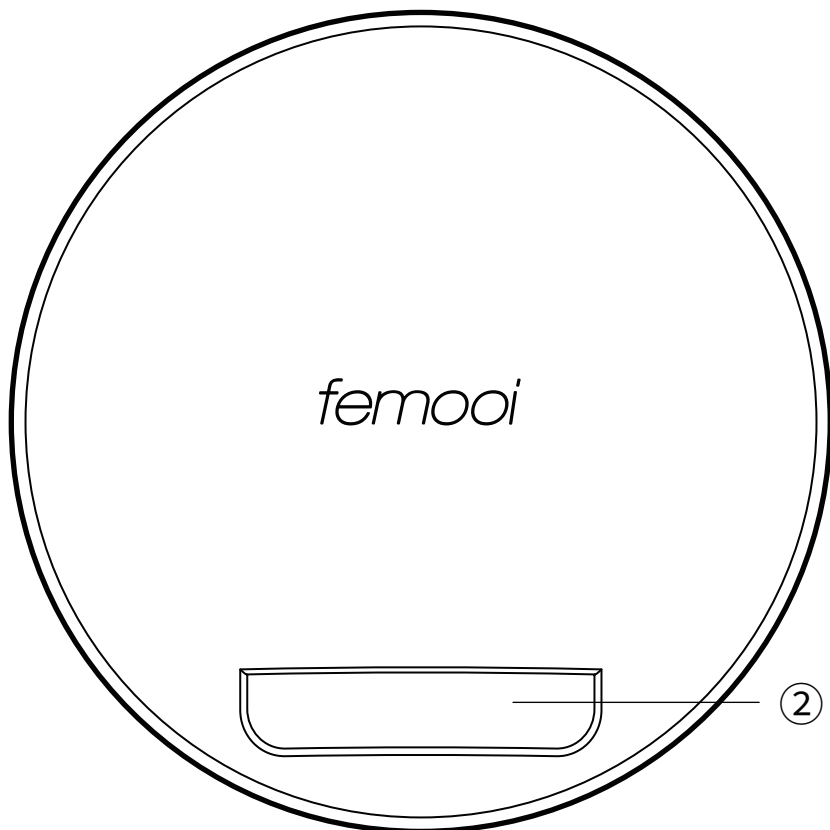
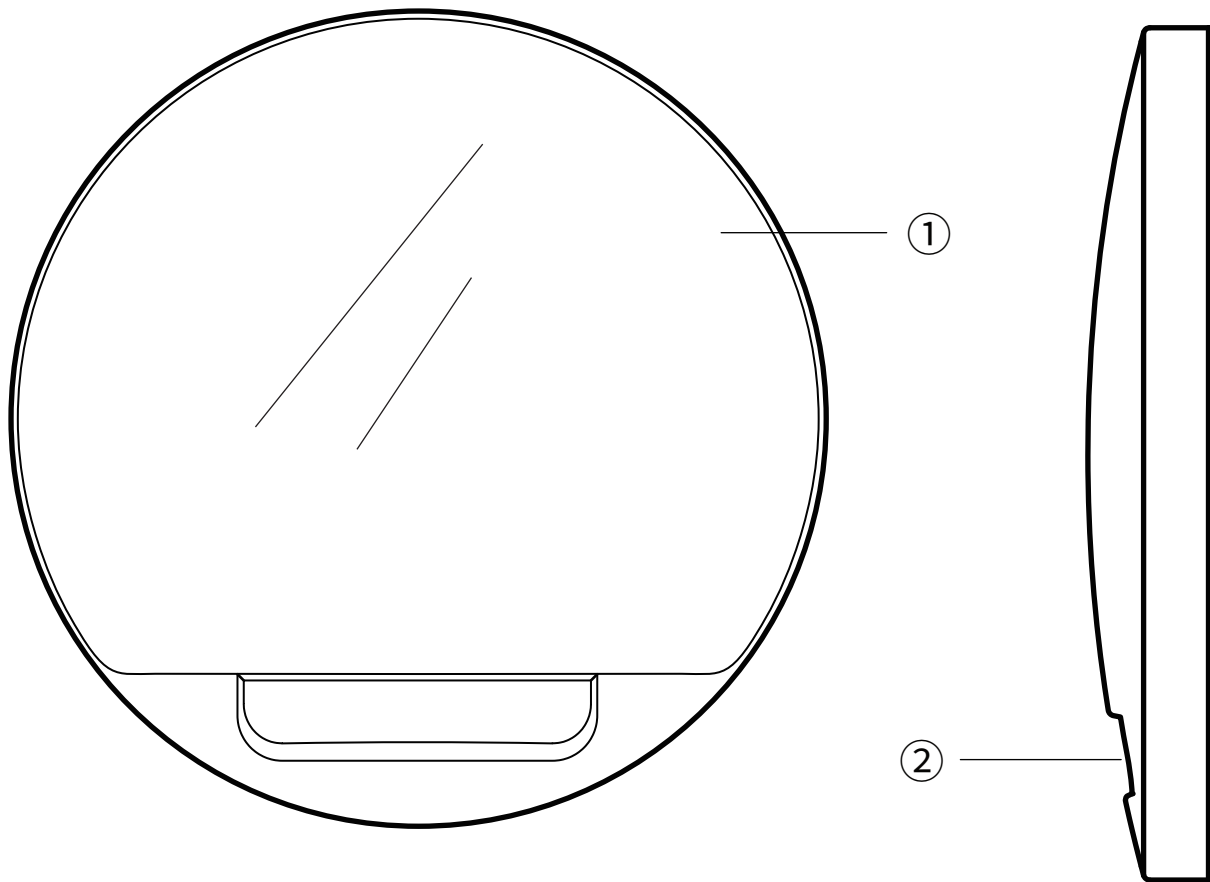
- ① Cover
- ② Phototherapy lamp
(red light + infrared light)
- ③ Cartridge with serum installation slot
- ④ Infrared sensing area
- ⑤ Button
- ⑥ NanoMeso Mode
- ⑦ Phototherapy Mode
- ⑧ Wireless charging port

Wireless charging dock



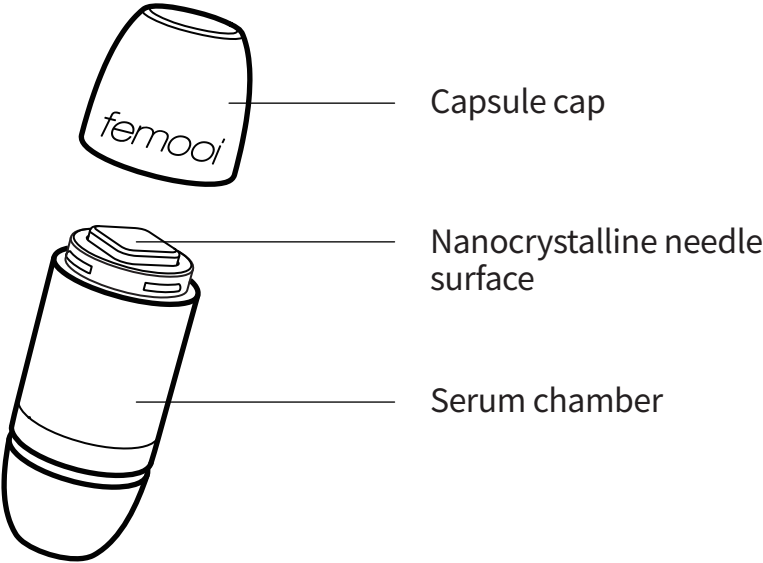
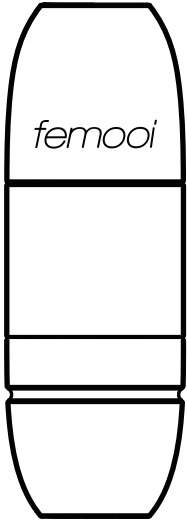
- ① Wireless charging port
- ② Placement slot
- ③ Charging cable connector of the dock

Wireless charging dock mirror

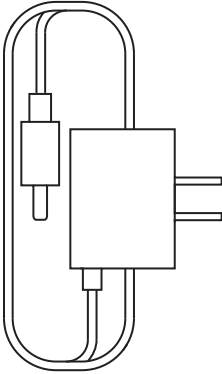


- ① Mirror
- ② Wireless charging dock connector

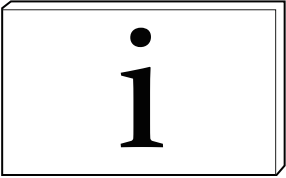
Cartridge with serum



Other accessories

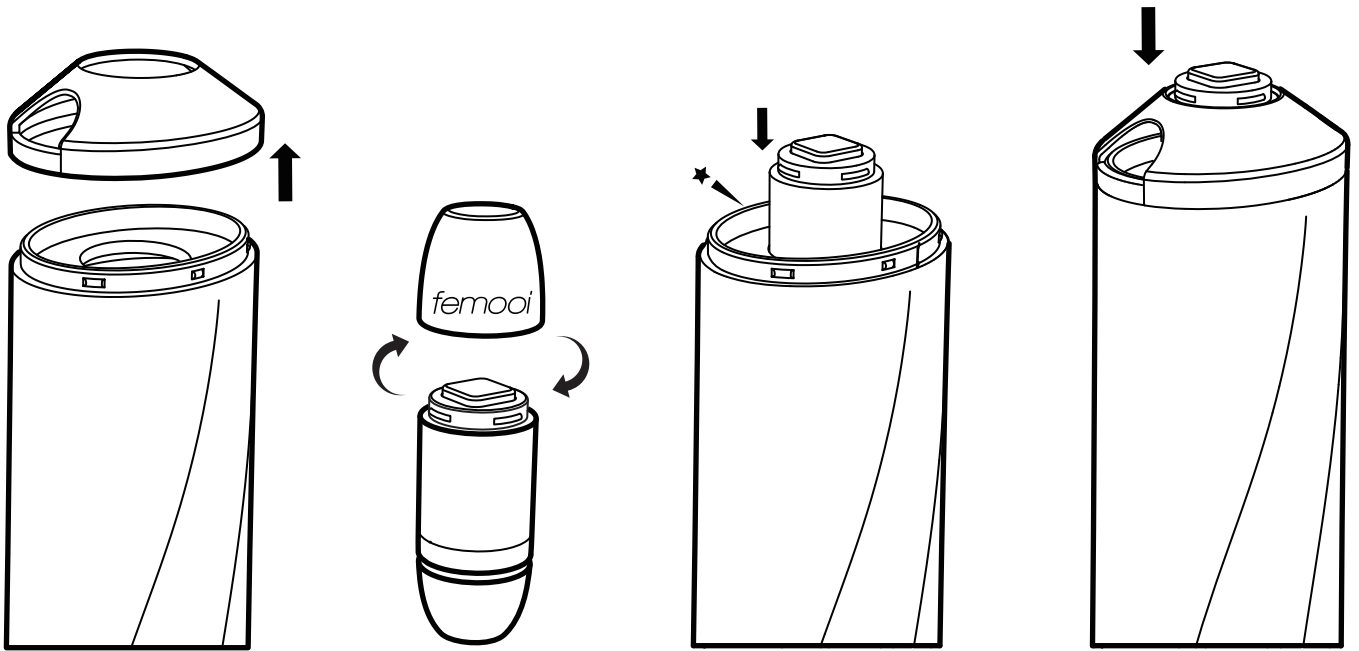


Charging cable



Quick Start Guide

Installation of cartridge with serum



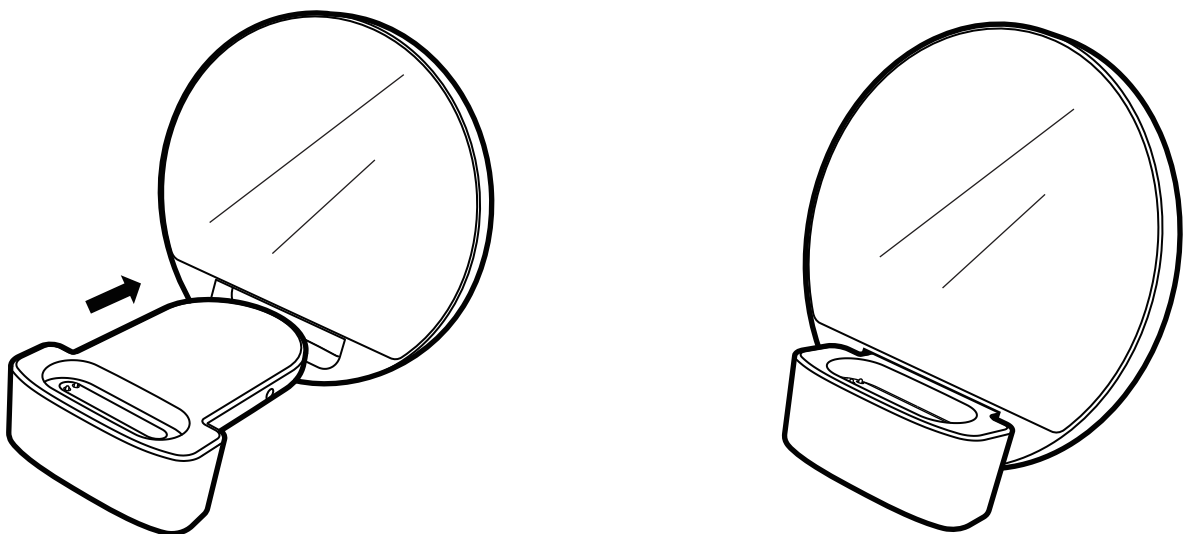
1. Remove the cover

2. Pull out the cartridge with serum

3. Insert the Cartridge with serum vertically down into the installation slot until you hear a slight "click" to ensure it is placed correctly

4. Place the cover back on, and it's done

Charging Dock Installation



1. Align the backside of the wireless charging dock with the front side of the mirror


2. Insert the wireless charging dock into the slot of the mirror and place it on a flat surface to use


Usage


Before use, please read the following important information:

- Before use, please charge your HiMESO™ until it is fully charged. Please refer to the "Charging" introductions below for information on how to charge.
- Before operation, please clean your hands and the parts to be operated.
- Before using it the first time, it is recommended to do a skin test with the essence on the inner side of the wrist. Stop using it if there is an allergic reaction, such as severe itching and redness.
- We recommend using the Nano Meso Mode and Phototherapy Mode once or twice per week. You can also adjust the frequency of use according to your skin condition. Do not use the device more than once a day. It is best to use it before bedtime so that the skin can better absorb the skincare products at rest.
- During the use of Nano Meso Mode, the time of touching each part of the skin should not exceed 3 seconds and should be less than 3 times.
- If the disposable packaging of the Cartridge with serum is damaged or leaks, please do not use it to avoid skin contamination.
- After opening the cap of the Cartridge with serum for the first time, there may be some leakage of the essence on the Nanocrystalline needle surface. This is a normal phenomenon caused by the filling process and does not mean the Cartridge with serum is damaged.
- One Cartridge with serum should only be used by one person, it is strongly advised not to share the capsule with others. Further, it is strongly advised not to use the same Cartridge with serum after it is empty, since this may lead to allergic reactions of the skin, redness, spots, inflammation and other adverse effects.
- During the use of the NanoMeso Mode, the cover plays a protective role to prevent excessive pressing. When the device is pressed too hard against the skin the device will automatically stop operation. The normal operation can be resumed by reducing the intensity.
- After using the Nano Meso Mode and Phototherapy Mode, some people may develop skin redness. This is a normal phenomenon and generally does not need to be treated. It can disappear by itself within 24 hours or can be accelerated by using an ice compress as needed.
- After using the essence, some people may feel slight itching and tingling of the skin, which is normal and generally does not need treatment. It can disappear on its own within 24 hours.
- When finished with using the Nano Meso Mode, please remove the Cartridge with serum and clean the cover and the installation slot of the Cartridge with serum.

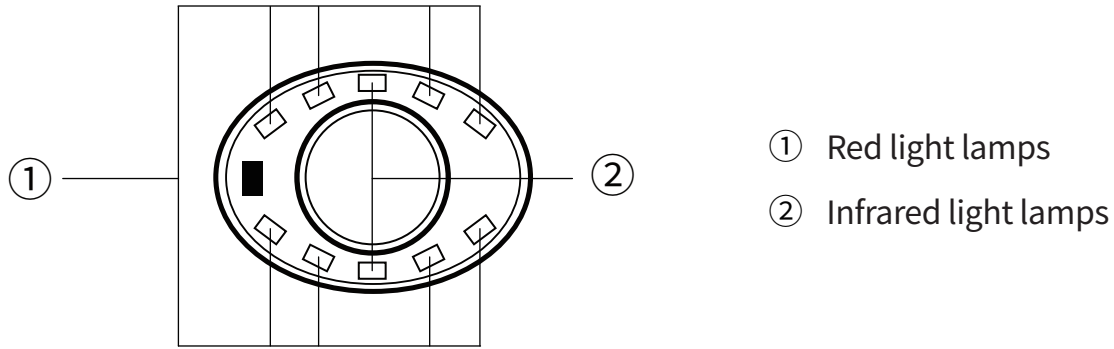
Description of the modes

Press and hold the Power button  for 1.5 seconds to turn on and off the HiMESO™ device. When HiMESO™ is turned on, the device will emit a long beep, and the corresponding indicator light will turn on; when it is off, the device will emit a long beep and the corresponding indicator light will turn off.

Press the Nano Meso Mode button  to turn on the HiMESO™ Nano Meso Mode. The device will emit a short beep, and the corresponding indicator light will turn on. The Nano Meso Mode has three intensity settings: low, medium, and high. Press the button again to cycle between the intensities, each time you adjust to a new intensity, the corresponding indicator will light up

Press the Phototherapy Mode button  to turn on the HiMESO™ Phototherapy Mode. The machine will emit a short beep and the corresponding indicator light will turn on. The Phototherapy Mode has two settings to choose from: the low-energy red light and the high-energy red light combined with infrared light. Press the button again to cycle between the two settings. shortly. Each time you adjust the setting, the corresponding indicator will light up to remind you.

The red light of the HiMESO™ Phototherapy Mode can improve cell activity, promote collagen production, reduce skin dullness and stains, relieve skin fatigue, improve skin radiance, and delay aging; The healing power of infrared light can accelerate wound healing, promote blood circulation, allow the skin to better absorb nutrients, improve wrinkles and moisturizing capacity, and make the pores look smaller. The Nano Meso Mode and Phototherapy Mode can be used at the same time, improving efficiency and strengthening absorption.



Note:

- * The device only starts functioning when the built-in intelligent infrared sensor system senses the skin
- * In order to avoid overuse, the default treatment time of the Nano Meso Mode is 10 minutes each time, after which the device will continuously beep twice to remind you the treatment has finished.
- * In order to avoid overuse, the default treatment time of the Phototherapy Mode is 20 minutes each time, after which the device will continuously beep twice to remind you the treatment has finished.
- * The infrared light wavelength is beyond the visible range of the naked eye, therefore this light is not visible during the Phototherapy Mode



Detailed Steps

Nano Meso Mode



STEP1: Cleanse the face.



STEP2: Follow the "Installation of cartridge with serum" instructions to install the cartridge with serum. Press the Nano Meso Mode button  to turn on the Nano Meso Mode ; If you need to adjust the intensity, you can press the Nano Meso Mode button  again to select the desired intensity. For specific usage, please refer to the instructions in the "Description of the modes". Position the Nanocrystalline needle surface in horizontal contact with the skin, you will observe a slight downward motion of the needle surface. To start the treatment, gently but quickly move the device up and down. The used force should be adjusted according to the contact with the skin.

Tip: During treatment, start at the bottom of the face and move upwards.



STEP3: After the treatment, pat the face gently to allow the skin to naturally absorb the remainder of the essence, it can also be rinsed away with water.

Note:

- * Please observe your personal skin condition during the treatment to avoid overuse.
- * Always first install the cartridge with serum, place the cover, and then turn on Nano Meso Mode
- * Before turning on the NanoMeso Mode, please make sure that the cartridge with serum is installed correctly. When installed correctly, you will hear a slight "click".
- * The used force of the device on the skin during the treatment should be moderate. Do not intentionally press it, neither lift the wrist so that the needle surface cannot evenly touch the skin.
- * Please press the device with a constant force on the skin during the treatment, to make sure the device can produce a continuous and uniform vibration. When excessive force is used, the device will enable its protection mechanism and stops working. The machine is more sensitive in the low-intensity setting, please pay attention to the control of the applied force.
- * Please be very careful when using the essence in the area around the eyes. Do not let the essence be in direct contact with the eyelid or eyes.
- * It is recommended that users with sensitive skin use the low-intensity setting, and wait for the skin to fully adapt before trying other settings according to the skin condition.
- * Do not drag the device on your face during the treatment.

Skin Rejuvenation Mode ()



STEP1: Cleanse the face.



STEP2: Place the cover on the device. Press the Phototherapy Mode button (☺) to turn on the Phototherapy Mode and the phototherapy lamps will turn on. Press the Phototherapy Mode button (☺) again to cycle between the two light intensity settings. For detailed usage, please refer to the "Description of the modes" instructions. During the treatment, press the cover firmly against the face, and move the device slowly from one part of the face to another. Make sure to not illuminate a single part of the face for more than 3 minutes.



STEP2: After the treatment, the desired skincare products can be applied as usual.

Note:

- * If the skin feels dry during the treatment, the skin can be hydrated accordingly.
- * If you feel that the brightness is too strong when close to the eyes, please close your eyes or wear a blindfold.
- * It is normal for the device to become slightly warm when using the Phototherapy Mode. If the case is overheated, stop using it immediately.
- * Do not illuminate the same area of the skin for more than 3 minutes.

Nano Meso Mode + Phototherapy Mode +

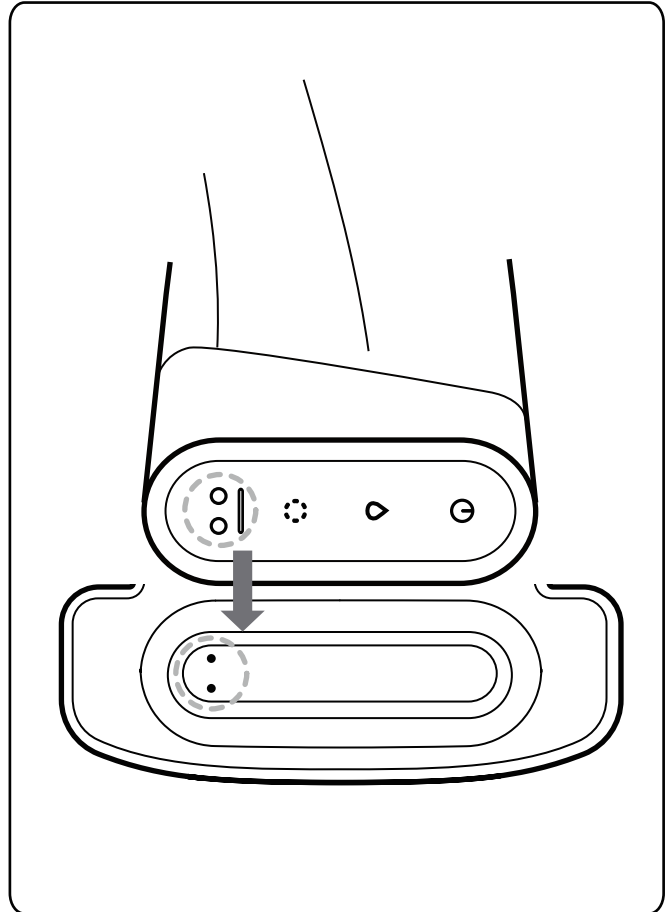
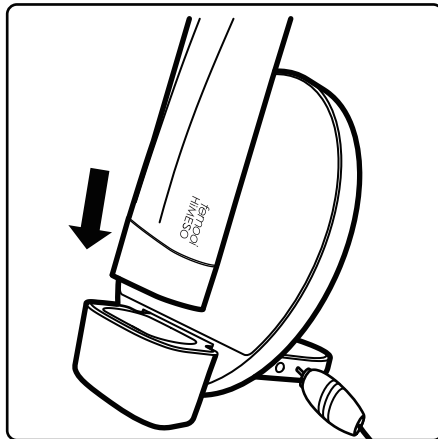
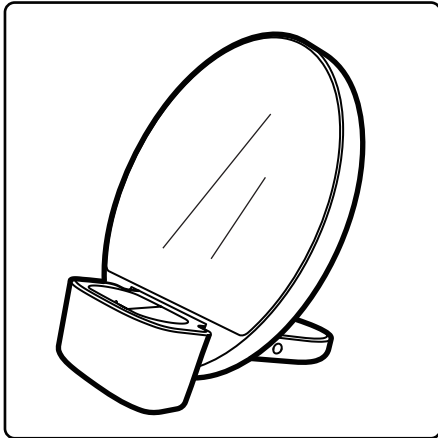
The Nano Meso Mode and Phototherapy Mode can be used at the same time to promote the absorption of nutrients while inserting the essence in the skin. Combined usage can also accelerate skin recovery, improve skin care efficiency, and improve skincare quality.

Warning:

- * If you experience any discomfort while using femooi HiMESO™, please stop using it immediately and consult a physician.

Charging

Your HiMESO™ device can be charged through the charging dock.



- It takes about 4 hours from when the battery is completely depleted to being fully charged. Please install the charging base according to the "Charging Dock Installation" instructions. After the installation is completed, insert the DC connector of the charging cable into the charging cable connector of the dock, and insert the plug into the power outlet. Align the charging port on the bottom of the Himeso™ device with the charging port on the wireless charging dock, and insert it into the placement slot with the back facing the mirror. When the device's indicator lights pulse in a breathing rhythm, it means the battery is charging. When charging is completed, the indicator light changes from the breathing pulse into being steady on.
- When the battery power is too low, the indicator light will continuously flash and at the same time beep 3 times for 5 seconds, as a reminder.

Warning:

- * Before charging, make sure that the charging cable connector is dry and free of water, and check whether the marked voltage matches the voltage of the power outlet.
- * Do not charge in places where there is a possibility of immersion in water.
- * The mirror is fragile. Please handle it gently when using it.

Maintenance

Please maintain HiMESO™ properly and keep it in the best working condition

- After each use, please clean the cover and the slots inside of the device thoroughly with a clean cloth or towel, and wipe them dry.
- Please wipe the charging base with a soft cloth or towel.
- After finishing the Nano Meso Mode and Phototherapy Mode, please remove the cartridge with serum and clean the Cartridge with serum installation slot.
- Please do not use cleaning products containing alcohol, gasoline, or acetone to clean the device. These substances may irritate the skin.
- Please do not place HiMESO™ in an acidic or alkaline liquid.
- Please do not put HiMESO™ in a dishwasher, microwave oven or high-pressure container, otherwise it may cause an accident or cause injury.
- Please do not wash the HiMESO™ device with water.
- The device must not be immersed in water.
- Please avoid exposure to high temperatures, moisture, heavy pressure and impact.
- Please keep the product out of reach of children to prevent accidents.
- Please do not use it near electrical appliances such as TVs and radios.
- Please do not use while the product is charging.
- Please charge HiMESO™ when it is in a low battery state to extend the battery life.
- Please use the original charging dock and charging cable of HiMESO™.
- Please do not disassemble, modify or repair the device by yourself.
- Please use the product only for the specific purposes described in this manual.

Frequently Asked Questions

The most frequently asked questions about HiMESO™ are listed below. If you cannot find proper answers, please call the customer service hotline for more information.

The indicator light of HiMESO™ does pulse in the breathing rhythm after the charger is connected

- The battery is completely depleted and it can take a few minutes to recognize the charger.
- The HiMESO™ device is not properly placed in the charging base.
- The HiMESO™ charging cable connector or power charger are not connected properly.

HiMESO™ does not respond after pressing the function mode button

- The device is turned off. Please press and hold the power button for 1.5 seconds to turn on the device.
- The battery is depleted. Please charge the device.
- The microprocessor has a temporary malfunction. Please connect the charging cable to restore its function.

Cannot switch to other modes

- Please ensure that the buttons and fingers are clean and try again.
- If the device cannot switch during use, there may be residual essence in the device. Please put it in a ventilated place to dry for one to two days before trying again.

HiMESO™ does not vibrate after pressing the Nano Meso Mode button

- The battery is depleted. Please charge in time.
- The infrared distance sensor does not detect the skin, please hold it closer to your face.
- If the force is too hard, the device will enable its protection mechanism. Please reinstall the cover and the cartridge with serum to disable the protection mechanism.

After pressing the function mode button, the device immediately turns on without approaching the skin

- The infrared sensor senses the presence of another object. Make sure there are no other objects within the sensing distance of the infrared sensor.
- The outside of the infrared sensor is dirty, please clean it and try again.
- The microprocessor has a temporary malfunction, please restart.

Disposal

This device should not be disposed of as household waste. Instead, it should be collected at an appropriate recycling point for electrical and electronic equipment. By ensuring a correct disposal of this device, you will help to contribute to the environment and human health. Further, by recycling this product, you will help with conserving natural resources.

Product Specifications

Product Name: femooi –HiMESO™ Nano Meso Device

Product Model: FH1.0

Product Material: ABS plastic

Product Color: Sakura Pink, Champagne Gold

Product Size: 160×53×36 mm

Product Weight: 115gr

Base Size: 140×130×99 mm

Base Weight: 156gr

Rated Input: 110v-240v

Battery: lithium-ion battery 1200 mAh 3.7 V

Charging Time: 4 hours

Battery Standby Time: 280 days

Interface: three buttons, six indicator lights

Disclaimer: Product users are at their own risk.femooi and its distributors assume no responsibility or liability whatsoever for any bodily or non-physical injury or damage that occurs as a direct or indirect result of the use of the product.In addition, Femooi reserves the right to modify this manual and make changes to it at any time and is not obliged to notify any individual of these changes or changes. In case of dispute, the company reserves the right of final decision on the interpretation.Within the scope of the law, the company reserves the right of final interpretation.

Note: Product or part specifications are subject to change without notice.

©2020 Femooi Technologies, All rights reserved

Femooi (Netherlands): Femooi BV

Address: Kennedyplein 200, 5611 ZT Eindhoven, Netherlands

Femooi (China): Ningbo Femooi Intelligent Technology Co., Ltd

Address: 8F, fengting Building, No. 375, Jiangdong North Road, Ningbo, China

Mainland China customer service hotline: 400-800-8681

www.lovefemooi.com